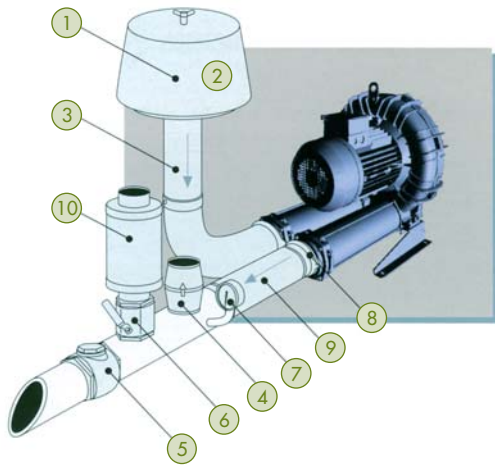


- 1 - Filtre à cartouche
- 2 - Cartouche filtrante
- 3 - Adaptateur
- 4 - Soupape de sécurité
- 5 - Clapet anti retour
- 6 - Vanne de régulation
- 7 - Manomètre
- 8 - Manchon lisse
- 9 - Manchette souple
- 10 - Silencieux supplémentaire

- 1 - Cartridge filter
- 2 - In-line filter
- 3 - Adapter
- 4 - Safety valve
- 5 - Check valve
- 6 - Control valve
- 7 - Pressure gauge
- 8 - Smooth coupling sleeve
- 9 - Flexible handle
- 10 - Additional silencer

- 1 - Filter mit Einsatz
- 2 - Leitungsfiter
- 3 - Adapter
- 4 - Sicherheitsventil
- 5 - Rückschlagventil
- 6 - Regelventil
- 7 - Manometer
- 8 - Steckmuffe
- 9 - flexibler Stutzen
- 10 - Zusatz-Schalldämpfer



Réf. / Ref. /
Art.-Nr

① **Filtres d'aspiration**
Suction filters
Ansaug-filter

② **Cartouche filtrante**
Filtering cartridge
Anschluss-flansche

③ **Adaptateur filtre**
Filter adapter
Filter-adapter

④ **Soupape de sécurité**
Safety valve
Sicherheits-ventil

⑤ **Clapet anti-retour**
Check valve
Rückschlag-ventil

⑧ **Brides de raccordement**
Connection flanges
Filter-einsatz

⑨ **Manchette souple**
Flexible handle
Steckmuffe

Mono / Single Phase / Mono Phase

J06M020	FL3	MP3	X	VL3	VC3	CF3	MF3
JV3M037	FL4	MP4	CA4V	VL3	VC4	CF4	MF4
JV4M075	FL5	MP5	CA5V	VL3	VC5	CF5	MF5
JV4M110	FL5	MP5	CA5V	VL3	VC5	CF5	MF5
JV5M150	FL6	MP6	CA6V	VRL6	VC6	CF6	MF6

Tri / Three Phase / Drei Phase

JV3T037	FL4	MP4	CA4V	VL3	VC4	CF4	MF4
JV4T075	FL5	MP5	CA5V	VL3	VC5	CF5	MF5
JV4T110	FL5	MP5	CA5V	VL3	VC5	CF5	MF5
JV5T150	FL6	MP6	CA6V	VRL6	VC6	CF6	MF6
JV5T220	FL6	MP6	CA6V	VRL6	VC6	CF6	MF6
JV6T220	FL6	MP6	CA6V	VRL6	VC6	CF6	MF6
JV6T300	FL6	MP6	CA6V	VRL6	VC6	CF6	MF6
JV6T400	FL6	MP6	CA6V	VRL6	VC6	CF6	MF6
JV66T400	FL6	MP6	CA6V	VRL6	VC6	CF6	MF6
J50SHT300	FL8	MP8	CA8	VRL6	VC8	CF8	MF8
J60SHT400	FL8	MP8	CA8	VRL6	VC8	CF8	MF8
J65SHT400	FL8	MP8	CA8	VRL6	VC8	CF8	MF8
J70SHT550	FL8	MP8	CA8	VRL6	VC8	CF8	MF8
J70SHT750	FL8	MP8	CA8	VRL6	VC8	CF8	MF8
J80SHT750	FL9	MP9	CA9	VRL8	VC9	CF9	MF9

Bi étage / Two Phase / Zwei Phase

J30DHT110	FL5	MP5	CA5	VL3	VC5	CF5	MF5
-----------	-----	-----	-----	-----	-----	-----	-----